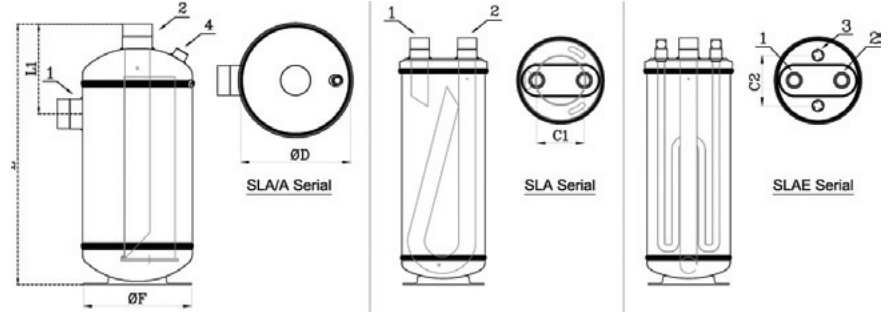


SUCTION LINE ACCUMULATORS

EMİŞ HATTI AKÜMÜLATÖRLERİ

- 1 - Inlet Connection
- 2 - Outlet Connection
- 3 - Exchanger
- 4 - NPT Connection

- 1 - Giriş Bağlantısı
- 2 - Çıkış Bağlantısı
- 3 - Isı Eşanjörü
- 4 - NPT Bağlantı



SUCTION LINE ACCUMULATORS / EMİŞ HATTI AKÜMÜLATÖRLERİ

Model	Volume Hacim Lt.	Dimensions Ölçüler				Connections Bağlantılar		CE PED 97/23/EC 33 Bar
		D (mm)	L (mm)	C1 (mm)	F (mm)	Inlet Giriş	Outlet Çıkış	
SLA-1/2	1,7	Ø 114	232	60	VFC-136	1/2" ODS	1/2" ODS	CAT I / A1
SLA-5/8	1,7	Ø 114	232	60	VFC-136	5/8" ODS	5/8" ODS	CAT I / A1
SLA-3/4	1,7	Ø 114	235	60	VFC-136	3/4" ODS	3/4" ODS	CAT I / A1
SLA-7/8	3,8	Ø 140	335	80	VFC-136	7/8" ODS	7/8" ODS	CAT I / A1
SLA-1 1/8	5,1	Ø 140	415	80	VFC-136	1 1/8" ODS	1 1/8" ODS	CAT I / A1
SLA-1 3/8	8,1	Ø 165	472	100	VFC-162	1 3/8" ODS	1 3/8" ODS	CAT II / A1
SLA-1 5/8	8,1	Ø 165	480	100	VFC-162	1 5/8" ODS	1 5/8" ODS	CAT II / A1
SLA-2 1/8	13,5	Ø 219	525	122	VFC-205	2 1/8" ODS	2 1/8" ODS	CAT II / A1
SLA-2 5/8	22,3	Ø 273	555	140	VFC-247	2 5/8" ODS	2 5/8" ODS	CAT II / A1
SLA-3 1/8	35,2	Ø 324	610	170	VFC-320	3 1/8" ODS	3 1/8" ODS	CAT III / B + C1
SLA-3 5/8	45,2	Ø 324	750	170	VFC-320	3 5/8" ODS	3 5/8" ODS	CAT III / B + C1
SLA-4 1/8	72,5	Ø 406	880	200	VFC-415	4 1/8" ODS	4 1/8" ODS	CAT III / B + C1

Model	Volume Hacim Lt.	Dimensions Ölçüler				Connections - Bağlantılar		CE PED 97/23/EC 33 Bar
		D (mm)	L (mm)	C1 / C2 (mm)	F (mm)	Inlet & Outlet Giriş & Çıkış		
						Accu. / Akümü.	H. Exch. / Isı Eşanj.	
SLAE-7/8-1/2	3,8	Ø 140	335	80 / 100	VFC-136	7/8" ODS	1/2" ODS	CAT I / A1
SLAE-1 1/8-1/2	5,1	Ø 140	415	80 / 100	VFC-136	1 1/8" ODS	1/2" ODS	CAT I / A1
SLAE-1 3/8-1/2	8,1	Ø 165	472	100 / 120	VFC-162	1 3/8" ODS	1/2" ODS	CAT II / A1
SLAE-1 5/8-1/2	8,1	Ø 165	480	100 / 120	VFC-162	1 5/8" ODS	1/2" ODS	CAT II / A1
SLAE-2 1/8-5/8	13,5	Ø 219	525	122 / 142	VFC-205	2 1/8" ODS	5/8" ODS	CAT II / A1
SLAE-2 5/8-3/4	22,3	Ø 273	555	140 / 160	VFC-247	2 5/8" ODS	3/4" ODS	CAT II / A1
SLAE-3 1/8-7/8	35,2	Ø 324	610	170 / 190	VFC-320	3 1/8" ODS	7/8" ODS	CAT III / B + C1
SLAE-3 5/8-7/8	45,2	Ø 324	750	170 / 190	VFC-320	3 5/8" ODS	7/8" ODS	CAT III / B + C1
SLAE-4 1/8-7/8	72,5	Ø 406	880	200 / 230	VFC-415	4 1/8" ODS	7/8" ODS	CAT III / B + C1

Model	Volume Hacim Lt.	Dimensions Ölçüler				Connections Bağlantılar		CE PED 97/23/EC 33 Bar
		D (mm)	L (mm)	L1 (mm)	F (mm)	Inlet Giriş	Outlet Çıkış	
SLA/A-1 3/8	8,1	Ø 165	475	150	VFC-162	1 3/8" ODS	1 3/8" ODS	CAT II / A1
SLA/A-1 5/8	8,1	Ø 165	480	150	VFC-162	1 5/8" ODS	1 5/8" ODS	CAT II / A1
SLA/A-2 1/8	13,5	Ø 219	525	180	VFC-205	2 1/8" ODS	2 1/8" ODS	CAT II / A1
SLA/A-2 5/8	22,3	Ø 273	555	230	VFC-247	2 5/8" ODS	2 5/8" ODS	CAT II / A1
SLA/A-3 1/8	35,2	Ø 324	620	265	VFC-320	3 1/8" ODS	3 1/8" ODS	CAT III / B + C1
SLA/A-3 5/8	45,2	Ø 324	760	285	VFC-320	3 5/8" ODS	3 5/8" ODS	CAT III / B + C1
SLA/A-4 1/8	72,5	Ø 406	880	320	VFC-415	4 1/8" ODS	4 1/8" ODS	CAT III / B + C1

TECHNICAL DATA

TEKNİK BİLGİ

Working Pressure (PS)	: 33 Bar
Test Pressure (PT)	: 48 Bar
Allowable Temperature (TS)	: Min. -10°C / Max. -130°C
Color (RAL)	: 9005 (mat)
General Tolerans (mm)	: ±5

Çalışma Basıncı (PS)	: 33 Bar
Test Basıncı (PT)	: 48 Bar
İzin Verilen Sıcaklık (TS)	: Min. -10°C / Max. -130°C
Renk (RAL)	: 9005 (mat)
Genel Tolerans (mm)	: ±5

Details of the foot connection are given on page 61
Details of the connection parts are given on page 60

Ayak detayı ile ilgili sayfa 61'i inceleyebilirsiniz.
Bağlantı parçaları ile ilgili sayfa 60'i inceleyebilirsiniz.