

COMPRESSOR

| | |
|---------------------------------|-----------------|
| Displacement (cm ³) | 25.93 |
| Diameter (mm) | 39.98 |
| Stroke (mm) | 20.65 |
| Net Weight (Kg) | 23 |
| Oil type | ISO VG 46 ESTER |
| Oil charge (cm ³) | 887 |

MOTOR

| | |
|------------------------------|-----------|
| Approximate Power (CV) | 1 3/8 |
| Voltage/Frequency (V/Hz) | 220V 50Hz |
| Voltage range (V) | 187-264 |
| Code | 82,153 |
| Type | CSR |
| Phase number | 1 PH |
| Locked rotor current (A) | 38.0 |
| Main W. resist. at 25°C (Ω) | 1.48 |
| Start W. resist. at 25°C (Ω) | 4.95 |

APPLICATION

| | |
|-------------------------|-------------------------|
| Application | High/Mid. back pressure |
| Refrigerant | R404A |
| Evaporating (°C) | -25 to 10 |
| Expansion | Capillar/Valve |
| Comp. cooling | Fan cooled |
| Max. ambient temp. (°C) | 43 |

NOMINAL PERFORMANCE

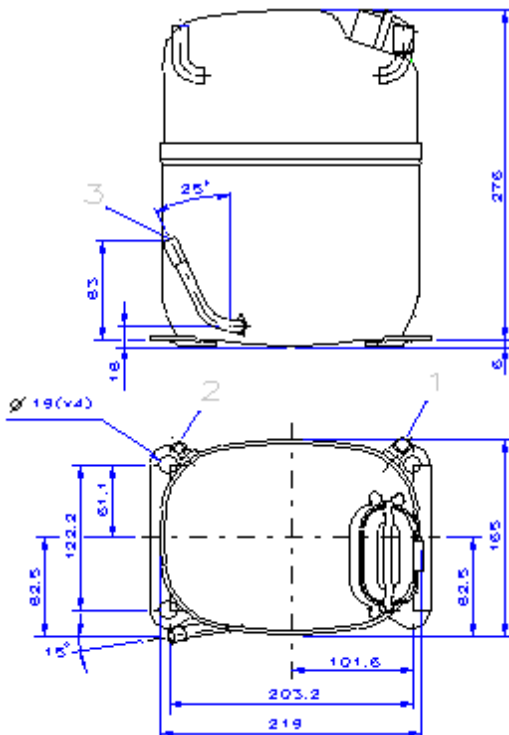
| | CYCLE C | CYCLE D |
|---------------------------|----------------|----------------|
| Cooling capacity (kcal/h) | 2739 | 3449 |
| Input power (W) | 1574 | 1629 |
| EER (kcal/Wh) | 1.74 | 2.11 |
| COP (W/W) | 2.02 | 2.46 |
| Current (A) | 7.85 | 8.09 |

TEST CONDITIONS

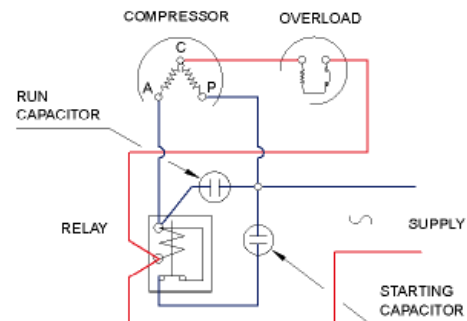
| | CYCLE C | CYCLE D |
|-----------------------------|----------------|----------------|
| Evaporating temp. (°C) | 5.0 | 7.2 |
| Condensing temp. (°C) | 55.0 | 55.0 |
| Liq.t. entering expan. (°C) | 55.0 | 46.0 |
| Ambient t. and return (°C) | 32.0 | 35.0 |
| Tens/Freq (V/Hz) | 220V 50Hz | 220V 50Hz |

ELECTRICAL COMPONENTS

| | | |
|--------------------------------|--------------|--------------|
| Relay | 3ARR3 10AS3 | RVA 3G.. |
| Pick-Up (A) | 180-195 | 180-195 |
| Drop-Out (A) | 40-105 | 40-105 |
| Protector | MRA38123 | T0534/G. |
| Current (A) | 22.0 | 20.0 |
| Time check (seg) | 7.5-14 | 7.5-14 |
| Disc temp. (Open/Close) (°C) | 105.0 / 52.0 | 105.0 / 52.0 |
| Starting capacitor (μF/V)/F/V) | 88-108 / 330 | |
| Run capacitor (μF/V) | 20 / 400 | |

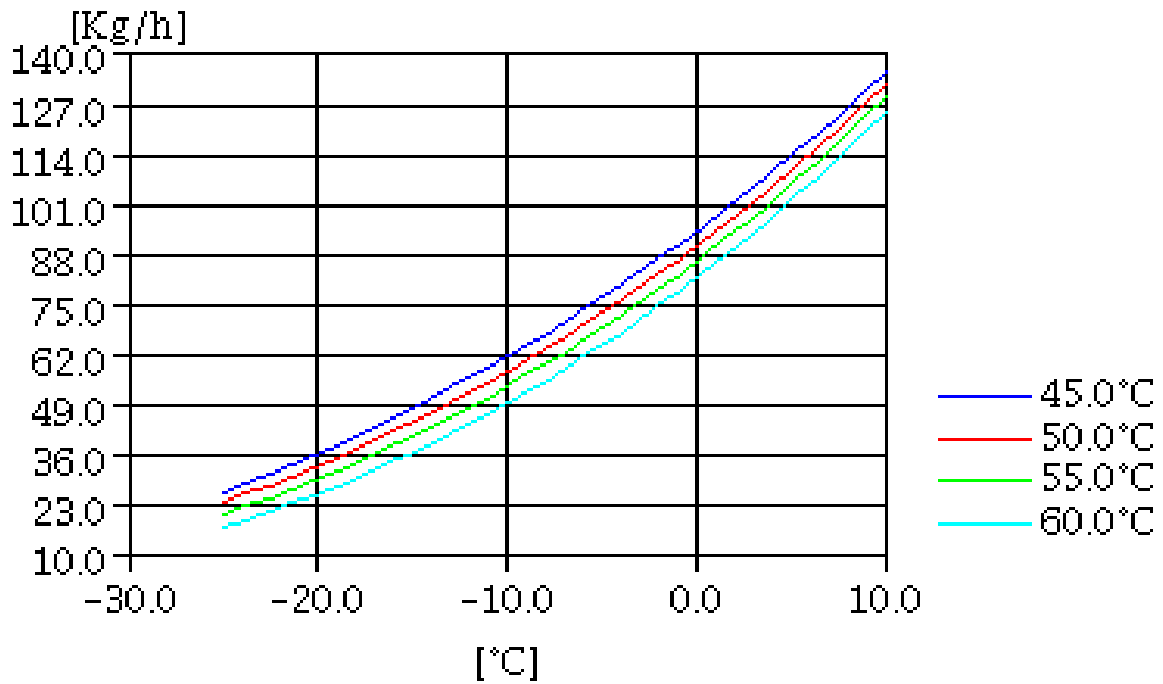
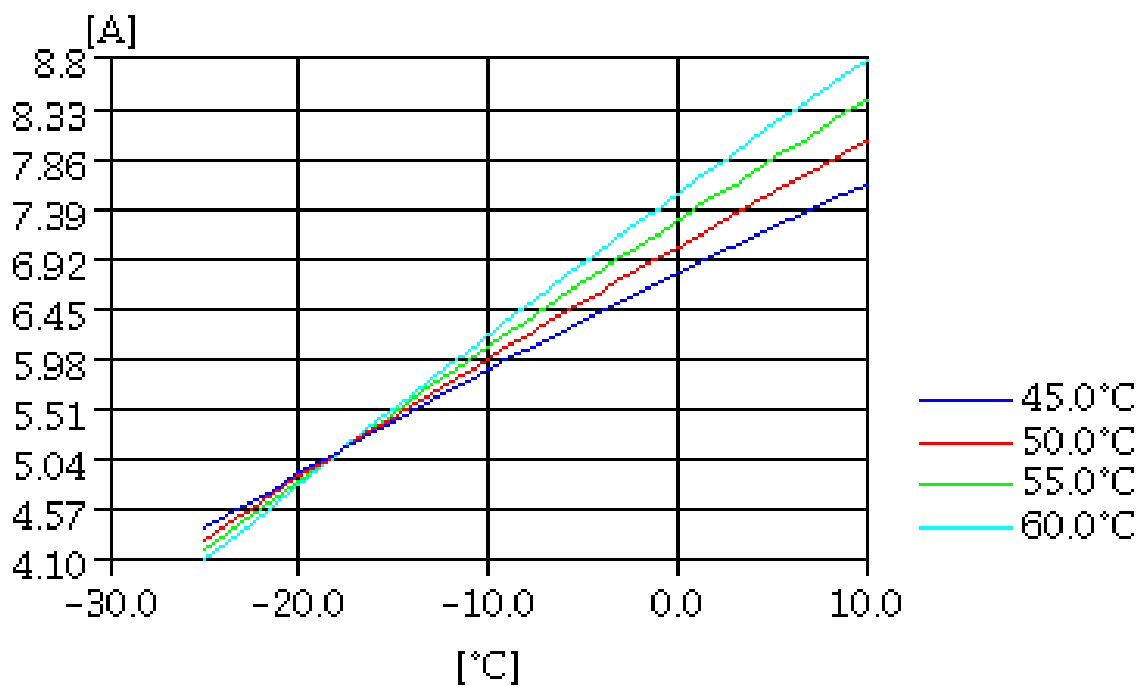
DIMENSIONS AND ELECTRICAL DIAGRAM


| | DESIGNATION | INTERNAL DIAM. (MM) |
|---|--------------------|----------------------------|
| 1 | Suction | 12,7 |
| 2 | Service | 9,6 |
| 3 | Discharge | 8,0 |

CSR


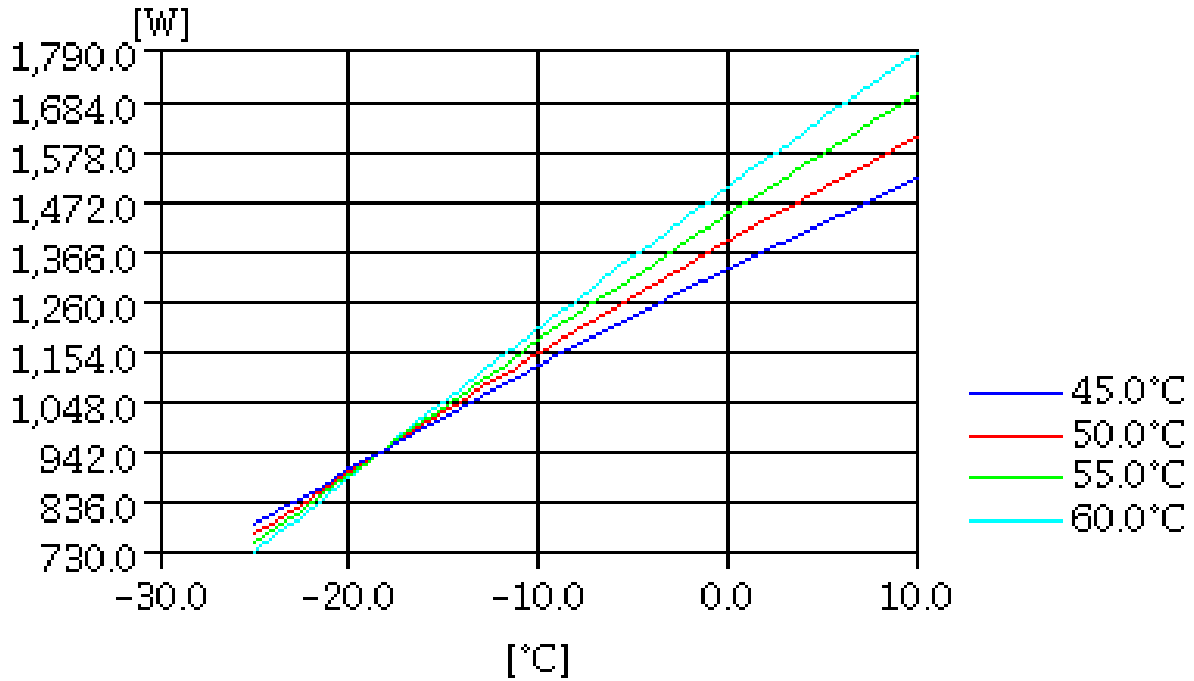
TEST CONDITIONS

| | |
|------------------------|----------------|
| Voltage/frequency | 220V 50Hz |
| Ambient t. and return | 35 °C |
| Liq.t. entering expan. | Subcooling 9 K |

MASS FLOW

CONSUMPTION


TEST CONDITIONS

| | |
|------------------------|----------------|
| Voltage/frequency | 220V 50Hz |
| Ambient t. and return | 35 °C |
| Liq.t. entering expan. | Subcooling 9 K |

INPUT W

COOLING CAPACITY
