

COMPRESSOR

Displacement (cm ³)	7.57
Diameter (mm)	25.4
Stroke (mm)	14.0
Net Weight (Kg)	11.4
Oil type	ISO VG 46 ESTER
Oil charge (cm ³)	400

MOTOR

Approximate Power (CV)	3/8
Voltage/Frequency (V/Hz)	220V 50Hz
Voltage range (V)	187-264
Code	61.513
Type	CSIR
Phase number	1 PH
Locked rotor current (A)	12.8
Main W. resist. at 25°C (Ω)	5.81
Start W. resist. at 25°C (Ω)	17.84

APPLICATION

Application	High/Mid. back pressure
Refrigerant	R404A
Evaporating (°C)	-25 to 10
Expansion	Capillar/Valve
Comp. cooling	Fan cooled
Max. ambient temp. (°C)	43

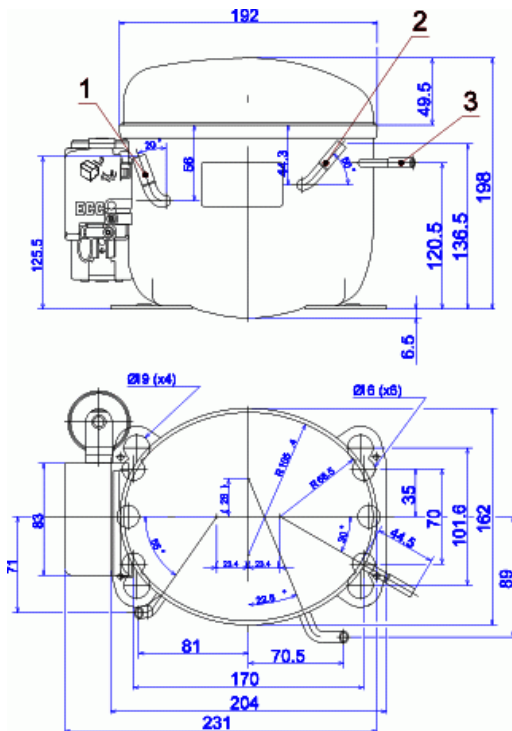
NOMINAL PERFORMANCE	CYCLE C	CYCLE D
Cooling capacity (kcal/h)	757	950
Input power (W)	539	555
EER (kcal/Wh)	1.40	1.71
COP (W/W)	1.63	1.99
Current (A)	3.02	3.09

TEST CONDITIONS

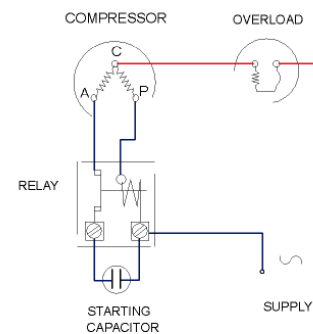
Evaporating temp. (°C)	5.0	7.2
Condensing temp. (°C)	55.0	55.0
Liq.t. entering expan. (°C)	55.0	46.0
Ambient t. and return (°C)	32.0	35.0
Tens/Freq (V/Hz)	220V 50Hz	220V 50Hz

ELECTRICAL COMPONENTS

Relay	2014 138.	
Pick-Up (A)	6,10	
Drop-Out (A)	5,20	
Protector	MRT26AMK	T0181
Current (A)	11.1	11.1
Time check (seg)	7.5-14	7.5-14
Disc temp. (Open/Close) (°C)	105.0 / 61.0	105.0 / 61.0
Starting capacitor (μF/V)/F/V)	47- 56 / 330	

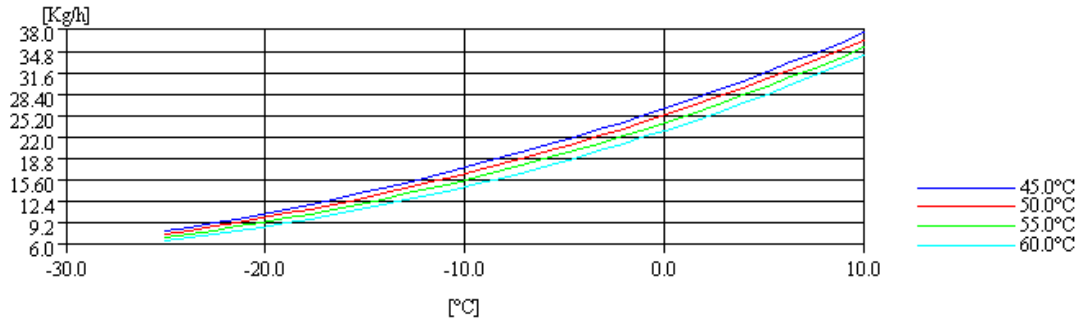
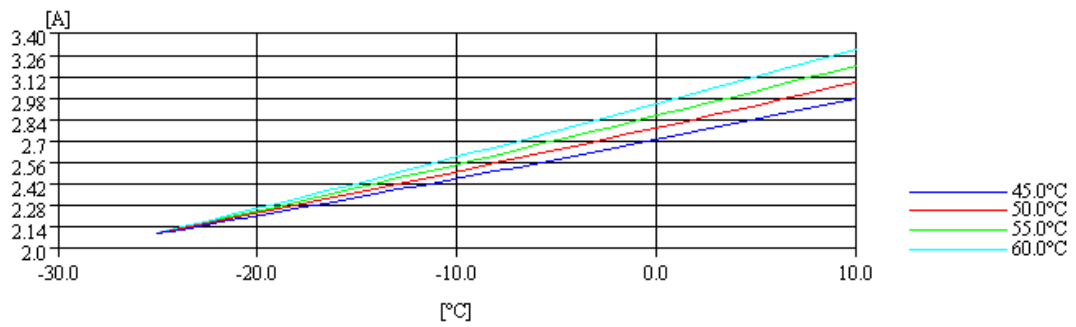
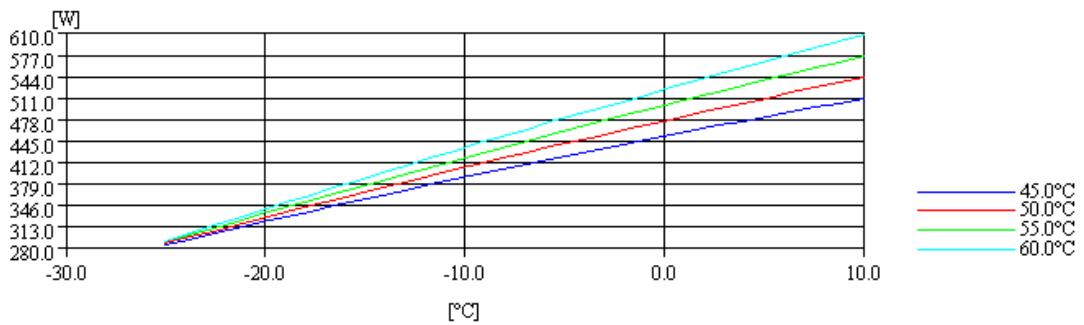
DIMENSIONS AND ELECTRICAL DIAGRAM


DESIGNATION	INTERNAL DIAM. (MM)
1	Suction/Service 6,5
2	Service/Suction 6,5
3	Discharge 4,9

CSIR


TEST CONDITIONS

Voltage/frequency	220V 50Hz
Ambient t. and return	35 °C
Liq.t. entering expan.	Subcooling 9 K

MASS FLOW

INTENSITY

CONSUMPTION

COOLING CAPACITY
